

# Creo® GD&T Advisor Extension

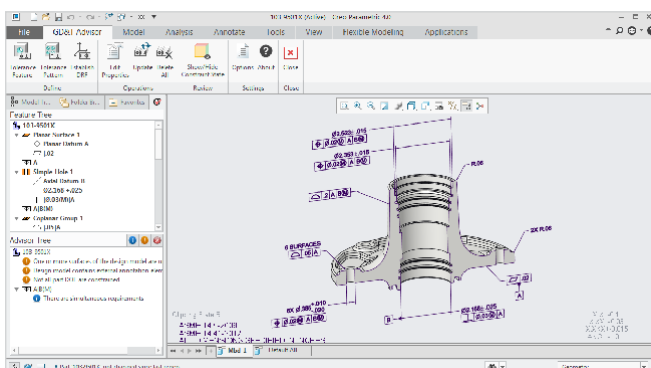
Fast, Easy, and Accurate GD&T Creation

Geometric dimensioning and tolerancing (GD&T) is painstaking manual work, as anyone knows who has spent more time detailing a model than designing it. Worse, the very nature of this complex process means it is prone to error. With our partners at Sigmatrix, we've developed the Creo GD&T Advisor Extension to resolve these issues and put your focus back to where it should be – on your design.

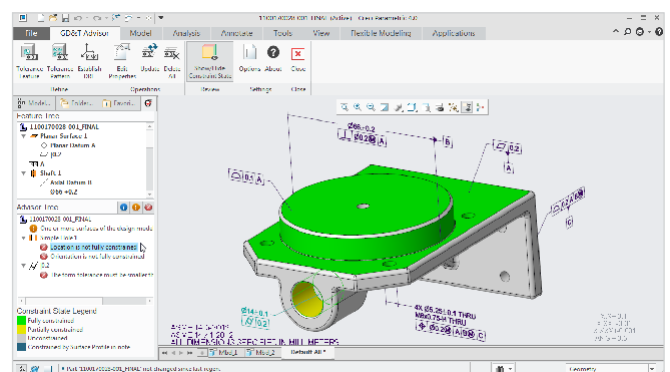
Creo GD&T Advisor, an extension to Creo Parametric 4.0, provides both expert guidance on the application of GD&T and validation that it has been done correctly. When your model is complete, you can be confident that it complies with the relevant standard and is fully constrained.

Creo GD&T Advisor also improves your productivity when applying GD&T, reducing the number of mouse clicks and time required by up to 75%. The software simplifies the understanding of the complex GD&T standards by providing readily available guidance during every step of the application process. Rulesets included are ASME Y14.5-2009, ISO 1101-2012, and their associated standards.

With Creo GD&T Advisor, you'll apply GD&T correctly the first time, saving money and reducing tedium.



Functional feature-centric view of GD&T.



Informative advisor messages guide and educate the user.

## Key benefits

- Increases productivity
- Reduces costs
- Provides consistency
- Eliminates mistakes due to human error
- Improves design communications, reducing the chance of misinterpreted or ambiguous information
- Enhances GD&T understanding

## Capabilities and Specifications

### Creation

- Efficient, intelligent application of functionally and syntactically correct GD&T in the 3D CAD model environment

### Validation

- Visual indications of syntactic errors and under-constrained geometry

### Education

- Extensive help content, informative tool tips, and advisor messages aid in understanding of GD&T concepts

### Utilization

- Intelligent, native Creo annotations are usable in downstream processes such as drawing production, tolerance analysis, computer aided inspection, and other design activities

## Standards Rulesets

- ASME Y14.5-2009 and associated standards
- ISO 1101-2012 and associated standards

## Platform Support and System Requirements

Visit the [PTC support page](#) for the most up-to-date platform support and system requirements.

	Basic	Plus
Guided creation of GD&T	✓	✓
Validation against ASME and ISO standards	✓	✓
Receive info, warnings and error messages in Advisor Tree	✓	✓
Reuse existing annotations created in standard Creo		✓
Evaluate annotations and provide guidance to fix them to given standard		✓

© 2016, PTC Inc. (PTC). All rights reserved. Information described herein is furnished for informational use only, is subject to change without notice, and should not be taken as a guarantee, commitment, or offer by PTC. PTC, the PTC logo, and all PTC product names and logos are trademarks or registered trademarks of PTC and/or its subsidiaries in the United States and other countries. All other product or company names are property of their respective owners. The timing of any product release, including any features or functionality, is subject to change at PTC's discretion.

J0J8180-CreoGDTAdvisorExtension-DS-EN-1116