



new!

PTC Product Focus: A) [What's New in Expert Framework Extension](#)

B) [Overview IsoDraw 6](#)

new!

Tips of the Month: A) [Sheetmetal Flange Walls](#)

B) [9 out of 10 Engineers Agree They Have Always Wanted This Tip!](#)

C) [Profiling](#)

Announcements: [Most Recent Announcements](#)

Upcoming Events & Training Schedule: [Events & Training Schedule](#)

PTC Product Focus

What's New in Expert Framework Extension

[Click Here To View](#)

[Back To Top](#)

PTC Product Focus

Overview IsoDraw 6

With IsoDraw, technical illustrations can be created in a quick and cost efficient way. Whether creation from scratch, photo tracing or reuse of existing data (scans, CAD data etc.), this is the ONE tool for all your tasks. The illustrations can then be reused in all standard DTP/Publishing systems. In addition, a wide range of functions are provided for preparing illustrations for delivery on CD-ROM or via the Internet.

Specialized tools for drawing in perspective

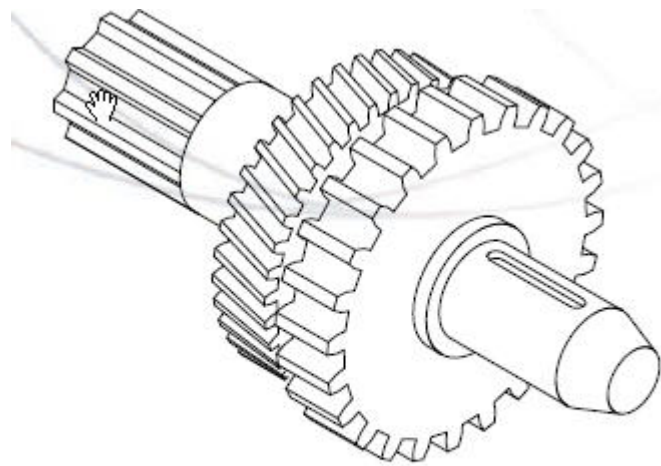
Especially noteworthy drawing functions include alignment of elements to perspective grids and perspective rotation and reflection. IsoDraw provides an elegant solution to one of the major drawing challenges – finding and creating ellipses. Simply define your desired perspective and the ellipses are created automatically. The package also includes a number of versatile projection tools for penetration curves or for manipulating perspective views.

Graphical quality

All illustrations are displayed automatically with the thick/thin technique that is standard for technical illustration. This makes the illustration much easier to understand. Line shadowing as well as colors, hatchings and patterns are also included.

Shaft tool

The Shaft tool is used to illustrate complex gears. Illustrations can be generated in a few minutes with customized parameterization. Grooves, gearwheels, shaft ends and many other details can be adapted within seconds.



Complex shaft drawn with the Shaft tool

Macro language

An extensive macro language for automating processes, extending functionality and validating. Record drawing steps and replay them elsewhere. Variables and control structures enhance the macro language to become a powerful working aid.

Callout tool

Enormous capabilities for easily working with callouts. You can automatically renumber when changes are made. Callout styles are freely definable. Callouts can also be generated automatically on objects or object groups as necessary.

Comprehensive standard parts library

The product scope includes over 2,200 views of standard parts. To select a part, press a button in a window in IsoDraw and the part will immediately be incorporated in the illustration in the correct orientation, perspective and size. Especially useful: The most recently used parts are offered as "Favorites".

References

Through a great number of installations in all industries IsoDraw has become the worldwide market leader in the field of Technical Illustration. Companies like John Deere, BMW, Siemens and a large number of service providers rely on the products from ITEDO.

Working with raster graphics or photos

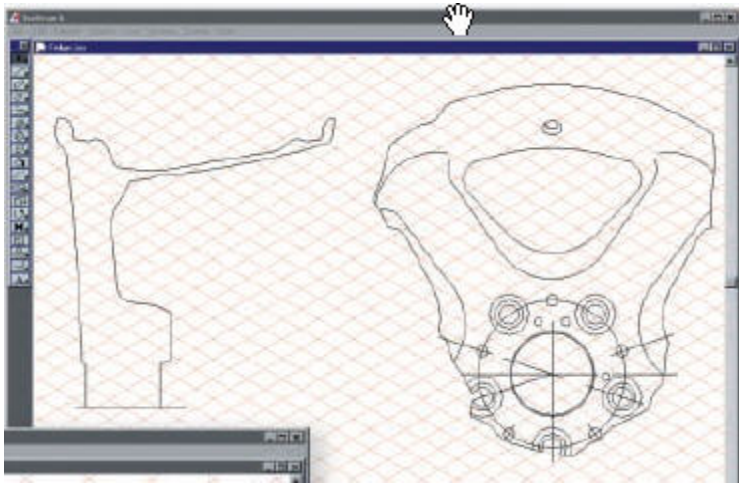
IsoDraw includes tools for tracing photos and videos. Scanned images can also be processed with the aid of the comprehensive raster editor. This means that you can make effective use of legacy data.

Working with raster graphics or photos

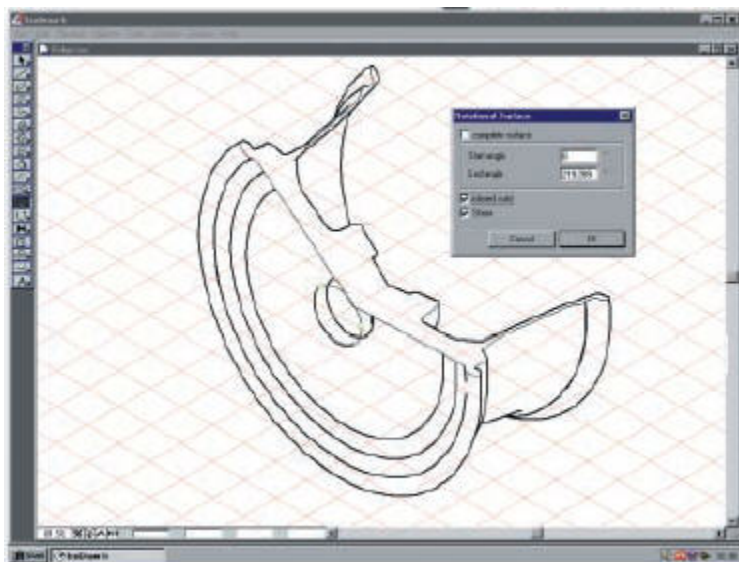
IsoDraw includes tools for tracing photos and videos. Scanned images can also be processed with the aid of the comprehensive raster editor. This means that you can make effective use of legacy data.

From 2D CAD to perspective illustration

IsoDraw provides special functions for editing 2D CAD data. The Extrusion tool is used to extrapolate a solid body from a 2D flat view, which you can then rotate and reflect in 3D. There is also a tool for creating rotational surfaces from planes. In both of these, the hidden lines are removed automatically and line thicknesses are assigned. Below is a snapshot of an example 2D view and a perspective view generated from the 2d view.



2D design data of a rim.



Perspective illustration after using the Rotational surfaces tool.

High-quality filters for all major graphic formats

WebCGM, CGM, SVG, PNG, JPEG, DWG, IGES, DXF, HPGL, Adobe Illustrator, WMF, EPS, TIFF, PICT, PCX, BMP, CALS Raster, Text excerpt. Interleaf ASCII and FrameMaker MIF optional. Data can thus be exchanged easily with all major graphics/CAD and Publishing systems. Various formats are also provided for the support of standards (such as ATA, AECMA, CALS...) and electronic delivery.

Link2Source

The Link2Source technology allows you to place files in an illustration. Graphic attributes and position can be changed. A link is maintained to the source file: if that is changed, the illustration is revised automatically. This means if you have placed one component on 40 illustrations and are now modifying it, you can update the entire archive automatically without having to edit each illustration individually by hand.

Preparation for electronic delivery

With IsoDraw, you can convert for example callouts with no manual effort into hotspots, which is significant for the graphic navigation. The user then clicks on an assembly in an illustration and immediately jumps to the page where this group is displayed, or to the relevant entry in the parts list.

[Back To Top](#)

Tips of the Month

Sheetmetal Flange Walls

[Click Here To View](#)

[Back To Top](#)

Tips of the Month

9 Out of 10 Engineers Agree They Have Always Wanted This Tip!

[Click Here To View](#)

[Back To Top](#)

Tips of the Month

Profiling

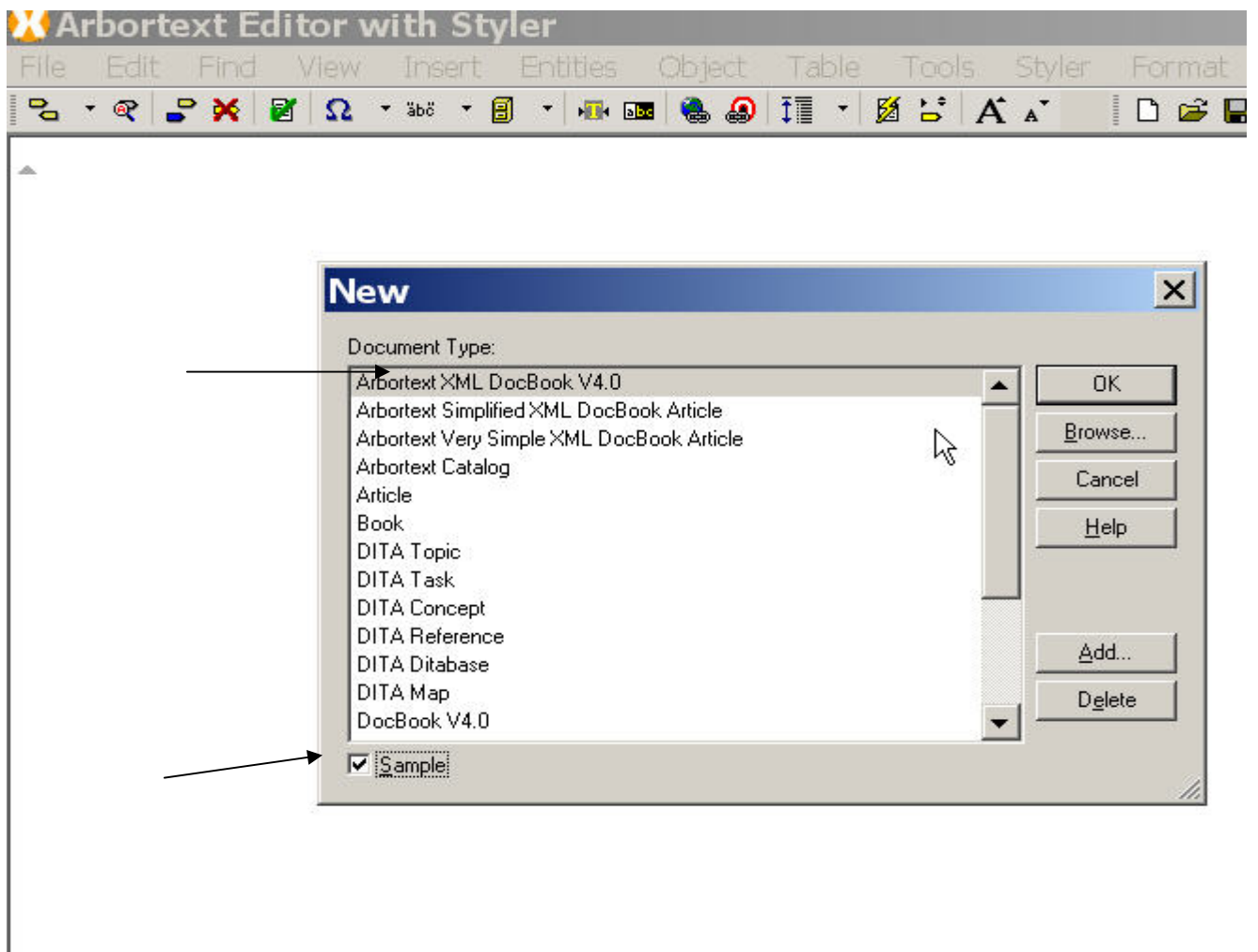
Not all customers are the same or require the same information. This can result in the need for tailored documentation for specific audiences.

With Arbortext Editor, you can deliver this tailored information without creating and maintaining multiple documents. Profiling targets specific information for a specified audience, and lets you publish for that target audience.

Ex: You might have a manual, parts of which are not needed for Customers or Novice Users or for Windows Users or for Customers etc.,

Another example is a car manual that is slightly different for 2 different models. So based on the model required you might want to add/remove certain parts of the manual. Profiling lets you achieve this very easily.

Open a “Sample” Arbortext document using the AXDocbook DTD.



Make sure your editor is open with 2 panes as shown below.

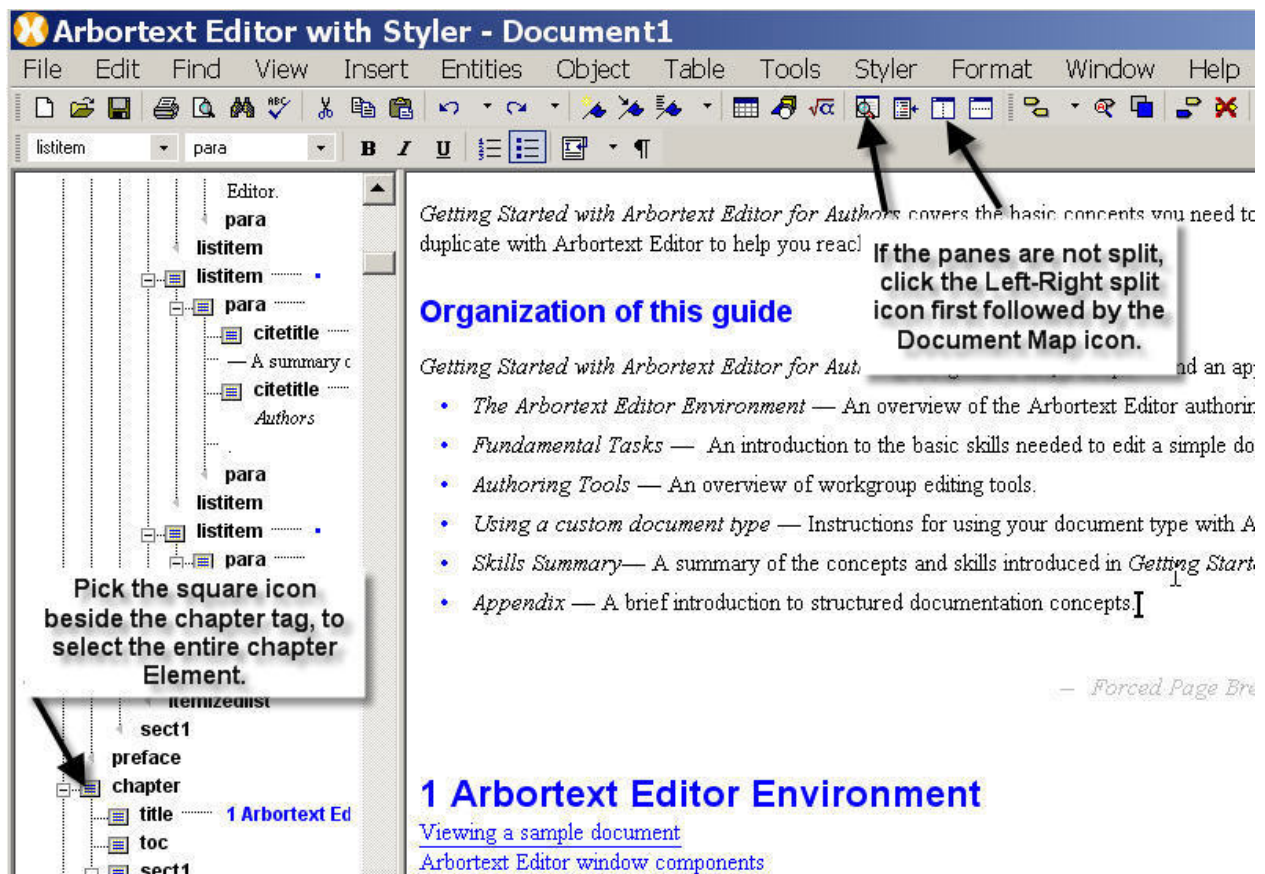
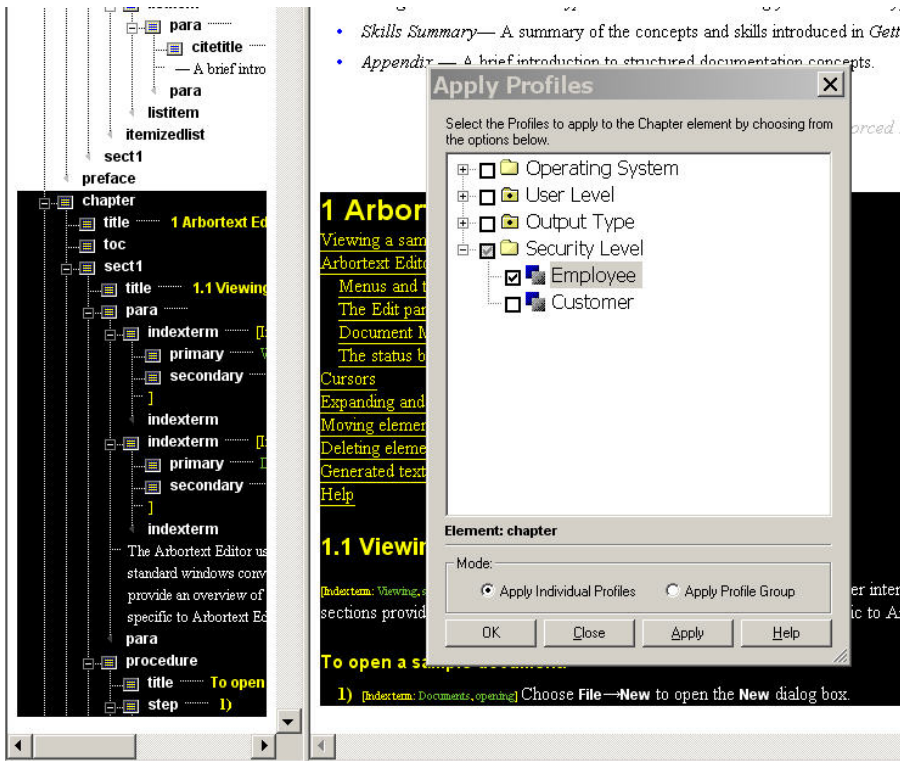


FIGURE - 1

Technique – Profiling		
#	Picks	Comments
1.	Objectives <ul style="list-style-type: none"> • apply profiles to elements. • view a profiled document. 	
2.	Make sure your Editor screen is split in 2 panes. One for Document Map and the other for editing. Locate the chapter titled “Epic Editor Environment” in the Table of contents and double click it. This will take the	This will select the whole chapter and we will apply a profile to this chapter.

Technique – Profiling

#	Picks	Comments
	<p>cursor to the chapter. Click the chapter square icon in the Left Pane (Fig 1)</p>	
3.	<p>Click on the Apply Profiles toolbar button</p>	 <p>The screenshot shows the Arbortext Editor interface. On the left is the 'Left Pane' showing a document structure with elements like 'chapter', 'title', 'toc', 'sect1', 'para', 'indexterm', 'primary', 'secondary', and 'procedure'. The 'chapter' element is highlighted. On the right, the 'Apply Profiles' dialog box is open. It has a title bar with 'Apply Profiles' and a close button. Below the title bar, it says 'Select the Profiles to apply to the Chapter element by choosing from the options below.' There is a tree view of profiles: 'Operating System', 'User Level', 'Output Type', 'Security Level', 'Employee' (checked), and 'Customer'. Below the tree view, it says 'Element: chapter'. There is a 'Mode:' section with two radio buttons: 'Apply Individual Profiles' (selected) and 'Apply Profile Group'. At the bottom of the dialog are four buttons: 'OK', 'Close', 'Apply', and 'Help'.</p>
4.	<p>In the Apply Profiles dialog box, click on the Plus Sign icon to the left of the word Security Level to expand that category.</p> <p>Click on the Employee profile box to place a checkmark in it and then click on OK.</p> <p>This will add an attribute value to the</p>	<p>We are saying that this chapter is for Employees only and not for Customers.</p> <p>So, after applying a profile, if we compose/Publish the document for Customers, the selected chapter will not be in the final output.</p>

Technique – Profiling		
#	Picks	Comments
	chapter element called Security=Employee.	
5.	<p>Select Edit→Profiles→View Profiled Document....</p> <p>In the Set Profiles dialog box, click on the plus sign icon to expand the Security Level category.</p> <p>Click on the Customer profile box to place a checkmark in it and then click on OK.</p>	
6.	<p>The Profiled Preview Window appears onscreen. All of the elements marked Security=Employee are not shown in this view.</p> <p>You can try applying other profiles that are available to test you technique!!</p>	<p>The Table of Contents will also reflect the new chapter numbering automatically. The previously 2nd chapter now becomes the first chapter.</p> <p>You can change the profiling options to suit the Customer demo. The ones seen are the default ones.</p>

[Back To Top](#)

Announcements

Educational Resource Library

Learn things you always wanted to do - but didn't know you could.

This one stop educational resource library will help you learn more about PTC Solutions and provide you with technical materials developed by the product experts to help you become more productive.

Get tutorials, how-to videos and expert advice for:

- Pro/ENGINEER
 - Conceptual and Industrial Design
 - Detailed Design
 - Simulation/Analysis
 - Production
 - Design Collaboration
- Windchill PDMLink
- Windchill ProjectLink
- Pro/INTRALINK
- PTC Online Tools

Check out the [Educational Resource Library](#) today.

PTC Tips & Techniques Newsletter Archives

Miss an issue! Can't find that awesome technique you read about? Fear not, you can click on the link below and go through our Customer PTC E-Newsletter archives.

[Click Here To Access](#)

It's better than finding the Covenant of the Ark!

PTC Tips & Techniques Webcasts: Work Smarter. Not Harder.

Click below to see regularly scheduled Tips & Techniques technical Webcasts that are designed to provide you with the most popular time-saving tricks that Pro/ENGINEER users of all skill levels will find useful. Get more out of your maintenance dollars!

[Tips & Techniques: Work Smarter Not Harder!](#)

E-PROFILES IS HERE!!

We have been eagerly anticipating the debut of the new electronic version of Profiles Magazine and now it is here! This new web site will supplement the print edition of the magazine and will

provide new useful features not feasible with paper media. e-Profiles will provide you with 24x7, worldwide access to key information previously available exclusively in the print version. "Tips & Tricks," a popular feature pioneered by Pro/USER, has also moved to the web and will be expanded as the site matures.

Please take a few minutes to check out this new web site. We don't think you will be disappointed.

<http://profilesmagazine.com/>

[Back To Top](#)

Upcoming Events & Training Class Schedules

Upcoming, 2007 Your local Pro/Engineer User Groups
<http://www.ptcuser.org/rugs/>

June 3 - 6, 2007 Tampa, Florida
PTC/USER International Conference
<http://www.ptcuser.org/>

Events

Our seminars and conferences seek to provide you with relevant information regarding product development trends in your industry as well as innovative software learning experiences. Think of them as a constructive day off where you can share experiences and swap ideas with your peers.

If you can't manage to get away, we'll bring it to you. Check back often for regularly scheduled live webcast events.

[You're Invited to Attend...](#)

Please visit the [PTC Education Services](#) website for the latest training information including course descriptions, schedules, locations, and pricing.

- Attend a course at any PTC Center and receive a **free** copy of Pro/ENGINEER Wildfire Student Edition!

<http://www.ptc.com/services/edserv/index.htm>

Live Instructor-Lead Virtual PTC Training Courses

Virtual Classrooms provide interactive learning with a trained PTC instructor in convenient and manageable sessions that last approximately 4 hours over a series of days. It's easy to join a class right from your desk using a phone or voice-over IP technology.

Sessions are performed just like a traditional ILT (including interactive exercises where you and the instructor can work on lab exercises together) and feature some of our most popular ILT courses. These sessions cover the exact same material as the traditional ILT in-center courses. Also look for some of our most frequently requested mini-topics delivered in the same format that are only an hour - two hours in duration.

If you have any questions about these sessions or would like to see getting other courses, not on this list, on the schedule please feel free to contact me for more details. They are a great way to bring training to you without you having to worry about location or being out from work for long stretches.

You can register for these sessions just as you would for any normal ILT class either by:

1. calling order admin at <http://www.ptc.com/services/edserv/training/registra.htm> or
2. you can go to PTC University directly at <http://www.ptc.com/learning> and submit a registration request directly. All you have to do is search the catalog by typing in “virtual” in the search field and you will see a listing.

PTC

Note: This PTC E-Newsletter will continue to be used for the following:

- 1) Inform you on events related to PTC products (user groups, conferences, training schedules, etc.)
- 2) Educate you on solutions that are available at PTC
- 3) Tips & Techniques using PTC Products

Note: These messages are compiled in the local PTC office and will be distributed via e-mail.

[Back To Top](#)